

Plano-Concave Lenses

Plano-concave lens has a negative focal length, diverges collimated incident light, and forms only virtual images which are seen through the lens. It is often used to expand light beams or increase focal lengths in existing systems.

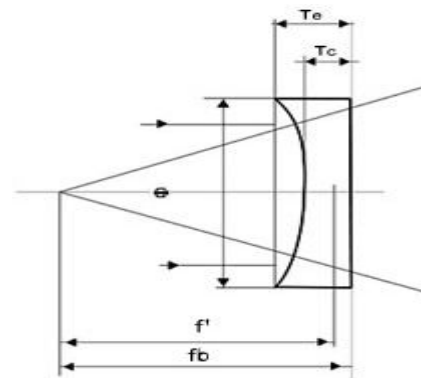


They are widely used in telescopes, collimators, optical transceivers, magnifiers, radiometers and condensers.

BK7 Plano-Convex Lenses

Specifications:

- Material: **BK7 Grade A Fine Annealed**
- Design Wavelength: 633nm
- Design Index: $n_d=1.515082$
- Diameter Tolerance: $+0/-0.1\text{mm}$
- Focal Length: $\pm 1\%$
- Centration: 3 arc minutes
- Clear Aperture: $>90\%$
- Surface Quality: 60/40
- Surface Accuracy: 2λ on spherical surface, λ on plano surface
- Bevel: $0.25\text{mm} \times 45^\circ$



Diia.(mm)	EFL(mm)	Raidus(mm)	CT(mm)	ET(mm)	BFL(mm)	Part No.
6.00	-18.00	-9.26	2.00	2.5	-19.32	LPCC1001
6.00	-24.00	-12.35	2.00	2.37	-25.32	LPCC1002
9.00	-27.00	-13.86	2.00	2.75	-28.32	LPCC1003
12.70	-25.00	-12.87	3.00	4.68	-26.98	LPCC1004
12.70	-30.00	-15.44	3.00	4.37	-31.98	LPCC1005
25.40	-50.00	-25.73	3.50	6.87	-52.31	LPCC1006
25.40	-75.00	-38.60	3.50	5.65	-77.31	LPCC1007
25.40	-100.00	-51.46	4.00	5.59	-102.64	LPCC1008
50.80	-75.00	-38.60	3.50	13.04	-77.31	LPCC1009
50.80	-100.00	-51.46	4.00	10.71	-102.64	LPCC1010
50.80	-150.00	-77.19	4.00	8.3	-31.97	LPCC1011

Fused Silica Plano-Concave Lenses**Specifications:**

- Material: **UV Fused Silica**
- Design Wavelength: 588nm
- Design Index: Nd=1.46008
- Diameter Tolerance: +0/-0.1mm
- Focal Length: $\pm 1\%$
- Centration: 3 arc minutes
- Clear Aperture: >90%
- Surface Quality: 60/40
- Surface Accuracy: 2λ on spherical surface, $\lambda/2$ on plano surface
- Bevel: 0.25mm x 45°

Dia.(mm)	EFL(mm)	Radius(mm)	CT(mm)	ET(mm)	BFL(mm)	Part No.
6.00	-15.00	-6.90	2.00	2.69	-13.61	LPCC2001
6.00	-30.00	-13.80	2.00	2.33	-28.82	LPCC2002
9.00	-20.00	-9.20	2.00	3.18	-18.33	LPCC2003
12.70	-25.00	-11.50	3.00	4.91	-22.71	LPCC2004
12.70	-30.00	-13.80	3.00	4.55	-27.91	LPCC2005
12.70	-40.00	-18.40	3.00	4.13	-38.15	LPCC2006
12.70	-50.00	-23.00	3.00	3.89	-48.29	LPCC2007
18.00	-30.00	-13.80	3.00	6.34	-26.90	LPCC2008
18.00	-50.00	-23.00	3.00	4.83	-47.74	LPCC2009
25.40	-40.00	-18.40	3.50	8.59	-35.79	LPCC2010
25.40	-50.00	-23.00	3.50	7.32	-46.47	LPCC2011
25.40	-60.00	-27.60	3.50	6.60	-56.88	LPCC2012
25.40	-75.00	-34.50	3.50	5.92	-72.26	LPCC2013
25.40	-100.00	-46.00	4.00	5.79	-97.63	LPCC2014
25.40	-125.00	-57.50	4.00	5.42	-122.85	LPCC2015
25.40	-150.00	-69.00	4.00	5.18	-147.99	LPCC2016
30.00	-75.00	-34.50	3.50	6.93	-71.35	LPCC2017
30.00	-100.00	-46.00	3.50	5.51	-96.88	LPCC2018
30.00	-120.00	-55.20	3.50	4.58	-117.13	LPCC2019
50.80	-75.00	-34.50	4.00	15.15	-66.73	LPCC2020
50.80	-100.00	-46.00	4.00	11.65	-93.60	LPCC2021
50.80	-125.00	-57.50	4.00	9.91	-119.57	LPCC2022
50.80	-150.00	-69.00	4.00	8.85	-145.19	LPCC2023

50.80	-175.00	-80.50	4.50	8.61	-170.61	LPCC2024
50.80	-200.00	-92.00	4.50	8.08	-195.92	LPCC2025

Other Plano-Concave Lenses

Specifications:

- Material: **B270, SF11**
- Diameter Tolerance: +0/-0.1mm
- Focal Length: $\pm 1\%$
- Centration: 3 arc minutes
- Clear Aperture: >90%
- Surface Quality: 60/40
- Bevel: 0.25mm x 45°

Diia.(mm)	EFL(mm)	Raidus(mm)	CT(mm)	ET(mm)	Material	Part No.
6.00	-6.00	-4.67	1.50	2.59	SF11	LPCC3001
6.00	-12.00	-9.34	2.00	2.49	SF11	LPCC3002
9.00	-9.00	-7.01	2.00	3.64	SF11	LPCC3003
9.00	-18.00	-14.01	2.50	3.24	SF11	LPCC3004
12.70	-15.00	-11.68	3.00	4.88	SF11	LPCC3005
25.40	-30.00	-23.36	3.50	7.25	SF11	LPCC3006
25.40	-66.00	34.52	1.80	4.20	B270	LPCC3007
30.00	-76.20	39.85	2.30	5.20	B270	LPCC3008
40.00	-76.20	39.85	2.10	7.50	B270	LPCC3009
40.00	-90.00	47.07	3.00	7.50	B270	LPCC3010
40.00	-101.60	53.14	1.10	5.00	B270	LPCC3011
40.00	-203.20	106.28	2.00	3.90	B270	LPCC3012
50.00	-152.40	79.50	1.40	5.40	B270	LPCC3013