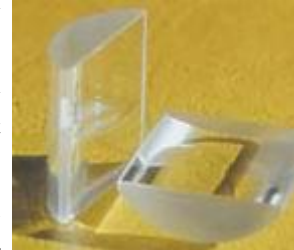


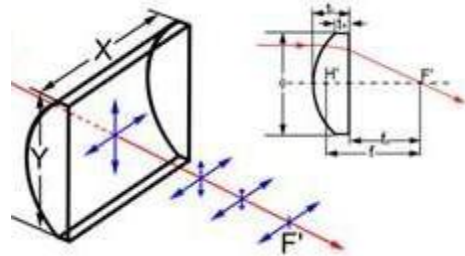
Cylindrical Lenses

Cylindrical lenses are either Plano-convex or Plano-concave in form and rectangular in shape. They focus light along one axis only, thus forming a line from an incident parallel beam. These lenses are used in applications requiring magnification only, such as in transforming a point image into a line image or changing the height of an image without changing its width or vice versa. Therefore serving a variety application, such as slit line detector array illumination, bar code scanning, holography, optical information processing and computer, laser projection. You can find two grades available. Other special shape are manufactured on your request.



Positive Cylindrical Lenses Specifications:

- Material: **BK7 Grade A Fine Annealed**
- Design Wavelength: 633nm
- Design Index: $N_d=1.515082$
- Diameter Tolerance: $+0/-0.1\text{mm}$
- Focal Length: $\pm 1\%$
- Centration: 3 arc minutes
- Clear Aperture: $>90\%$
- Surface Quality: 60/40
- Surface Accuracy: 2λ
- Bevel: $0.25\text{mm} \times 45^\circ$



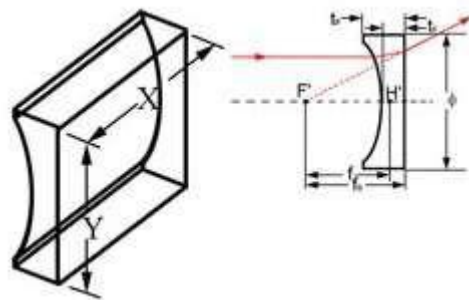
| X | Y | Focal Length (mm) | Radius | CT(mm) | ET(mm) | Part No. |
|--------|-------|-------------------|--------|--------|--------|----------|
| 25.00 | 6.00 | 6.35 | 3.29 | 3.50 | 1.60 | LCLP1001 |
| 25.00 | 12.00 | 12.70 | 6.59 | 5.00 | 1.10 | LCLP1002 |
| 25.00 | 19.00 | 19.00 | 9.85 | 8.50 | 1.20 | LCLP1003 |
| 60.00 | 22.00 | 25.40 | 13.17 | 7.00 | 1.00 | LCLP1004 |
| 60.00 | 15.00 | 40.00 | 20.74 | 2.70 | 1.30 | LCLP1005 |
| 130.00 | 15.00 | 40.00 | 20.74 | 2.70 | 1.30 | LCLP1006 |
| 60.00 | 20.00 | 60.00 | 31.11 | 3.00 | 1.30 | LCLP1007 |
| 130.00 | 20.00 | 60.00 | 31.11 | 3.00 | 1.30 | LCLP1008 |
| 60.00 | 30.00 | 80.00 | 41.48 | 4.00 | 1.20 | LCLP1009 |
| 130.00 | 30.00 | 80.00 | 41.48 | 4.00 | 1.20 | LCLP1010 |
| 60.00 | 50.00 | 100.00 | 51.85 | 8.00 | 1.60 | LCLP1011 |

| | | | | | | |
|-------|-------|--------|--------|------|------|----------|
| 60.00 | 50.00 | 150.00 | 77.78 | 6.00 | 1.90 | LCLP1012 |
| 60.00 | 50.00 | 200.00 | 103.70 | 5.00 | 1.90 | LCLP1013 |
| 60.00 | 50.00 | 250.00 | 129.63 | 4.50 | 2.10 | LCLP1014 |
| 60.00 | 50.00 | 300.00 | 155.56 | 4.00 | 2.00 | LCLP1015 |

Negative Cylindrical Lenses

Specifications:

- Material: **BK7 Grade A Fine Annealed**
- Design Wavelength: 633nm
- Design Index: $N_d=1.515082$
- Diameter Tolerance: $+0/-0.1\text{mm}$
- Focal Length: $\pm 1\%$
- Centration: 3 arc minutes
- Clear Aperture: $>90\%$
- Surface Quality: 60/40
- Surface Accuracy: 2λ
- Bevel: $0.25\text{mm} \times 45^\circ$



| X | Y | Focal Length (mm) | Radius | CT(mm) | ET(mm) | Part No. |
|-------|-------|-------------------|---------|--------|--------|----------|
| 25.00 | 7.00 | -6.35 | -3.29 | 3.10 | 5.10 | LCLN1001 |
| 25.00 | 13.00 | -12.70 | -6.59 | 3.20 | 7.10 | LCLN1002 |
| 25.00 | 16.00 | -19.00 | -9.85 | 3.60 | 7.10 | LCLN1003 |
| 60.00 | 16.00 | -25.40 | -13.17 | 3.70 | 6.00 | LCLN1004 |
| 60.00 | 16.00 | -40.00 | -20.74 | 4.60 | 6.00 | LCLN1005 |
| 60.00 | 21.00 | -60.00 | -31.11 | 4.40 | 6.10 | LCLN1006 |
| 60.00 | 31.00 | -80.00 | -41.48 | 3.20 | 6.00 | LCLN1007 |
| 60.00 | 51.00 | -100.00 | -51.85 | 3.00 | 9.40 | LCLN1008 |
| 60.00 | 51.00 | -150.00 | -77.78 | 5.40 | 9.50 | LCLN1009 |
| 60.00 | 51.00 | -200.00 | -103.70 | 6.50 | 9.60 | LCLN1010 |
| 60.00 | 50.00 | -250.00 | -129.63 | 7.00 | 9.40 | LCLN1011 |